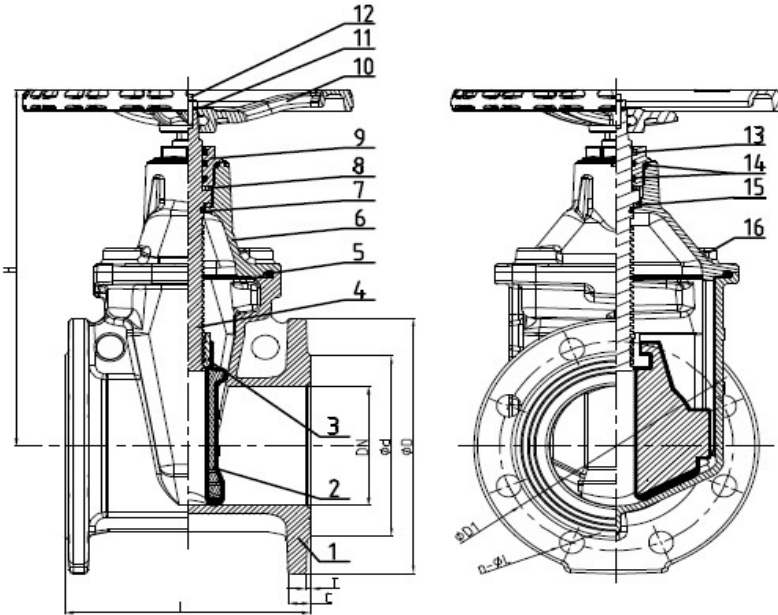


▪ **Technical Specifications**

1. Connection Ends: Flanged to DIN EN 1092-2: 1997
2. Working Pressure: PN10/16
3. Temperature Range: 0°C - 100 °C
4. Coating: Fusion Bonded Epoxy Coating in accordance with ANSI/AWWA C550



▪ **Materials**

No	Name of Part	STANDARD
1	VALVE BODY	EN-GJS-450-10
2	RESILIENT WEDGE DISC	EN-GJS-450-10 + EPDM
3	WEDGE NUT	BRASS HPb59-1
4	STEM	SS420
5	BONNET GASKET	EPDM
6	BONNET GASKET	EN-GJS-450-10
7	O-RING	NBR
8	WASHER	PTFE
9	LOCKNUT	BRASS HPb59-1
10	HANDWHEEL	EN-GJS-450-10
11	FLAT WASHER	CARBON STEEL ZINC PLATED
12	BOLT	CARBON STEEL ZINC PLATED
13	RING WIPER	EPDM
14	O-RING	NBR
15	WASHER	BRASS HPb59-1
16	BOLT	CARBON STEEL ZINC PLATED

DN		PN	DIMENSIONS (MM)							
INCH	MM		L	H	D	D1	d	C	T	n-øL
1-1/2"	40	10/16	140	216	150	110	84	19	3	4-Ø19
2"	50	10/16	150	216	165	125	99	19	3	4-Ø19
2-1/2"	65	10/16	170	254	185	145	118	19	3	4-Ø19
3"	80	10/16	180	282	200	160	132	19	3	8-Ø19
4"	100	10/16	190	307	220	180	156	19	3	8-Ø19
5"	125	10/16	200	365	250	210	190	19	3	8-Ø19
6"	150	10/16	210	409	285	240	211	19	3	8-Ø23
8"	200	10	230	515	340	295	266	20	3	8-Ø23
		16								12-Ø23
10"	250	10	250	625	405	350	319	22	3	12-Ø23
		16				355				12-Ø28
12"	300	10	270	701	460	400	370	24.5	4	12-Ø23
		16				410				12-Ø28